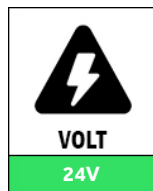
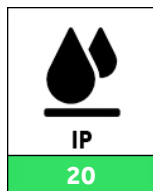
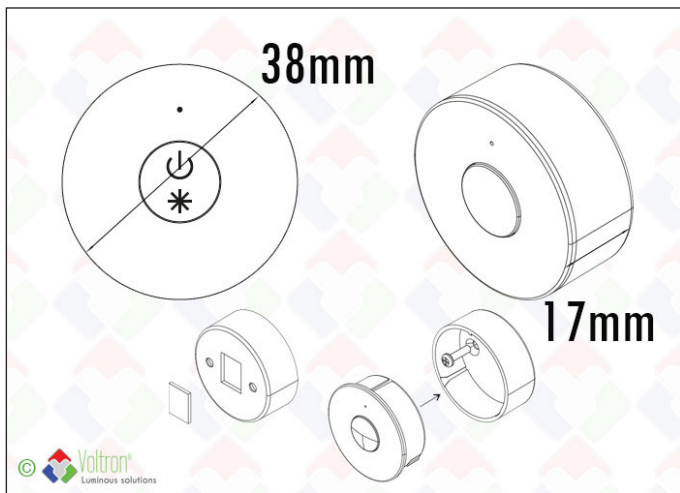


Dimming modules



DIM-MINI-WHITE

VOLTRON® LED subtle remote control DIM-MINI-WHITE with magnet on the backside. In combination with VOLTRON® RF dimmers DIM-BLOCK-N (-DIN). RF signal works in a radius of +/- 20 meters in diameter. IP20, color = silver, always 5 years warranty. For dimming luminaires such as The Flat Hanger™, The Flat Round™, The Flat Square™, mono-colored LED strips, ...



Technical data

Productnumber	Barcode	IP value	Voltage	Wattage
DIM-MINI-WHITE	LH-1530	20	24V	-
Length	Width	Height	Finish color	Constant voltage
-	-	1CM	White	V
RF controlled	Packed per			
V	1			

Specification text*

1-button remote control to apply individual or zonal adjustment in conjunction with one of these dimmers: DIM-BLOCK-N or DIM-BLOCK-N-DIN. Operates on an RF signal, IP 20. 5 year warranty. Operates on a battery type: CR2025.

* Available on the website

Areas of application

For use with: LED strips, The Flat Hanger, The Flat Round, The Flat Square / Only for 24V constant voltage / Dimming of 1 color strips / DIN rail dimmers for industrial or cabinet mounting / Dimmers can also be used with push button and / or remote control / Multiple dimmers can be set on the same remote control / Multi-zone dimming possible (ask more info for settings)

Extra information

All information, specification texts, photos, technical drawings, connection diagrams, photometric .LDT files can be found via this clickable direct link: https://www.voltron-lighting.com/product/EN/23/1530/Dimming_modules--DIM-MINI-WHITE or can be requested through your contact person.

Direct link website



Product barcode



The Voltron® name and logo as well as product names are part of the Voltron® Lighting Group and are protected by national and international laws.

The usage rights, reproduction rights as well as the intellectual rights are the exclusive property of the Voltron® Lighting Group.

Voltron® pays a lot of attention to the correctness and completeness of the information. However, it cannot be held responsible for any inaccuracy and / or omission. All images and texts are protected under copyright law and may not be used or multiplied without express permission.