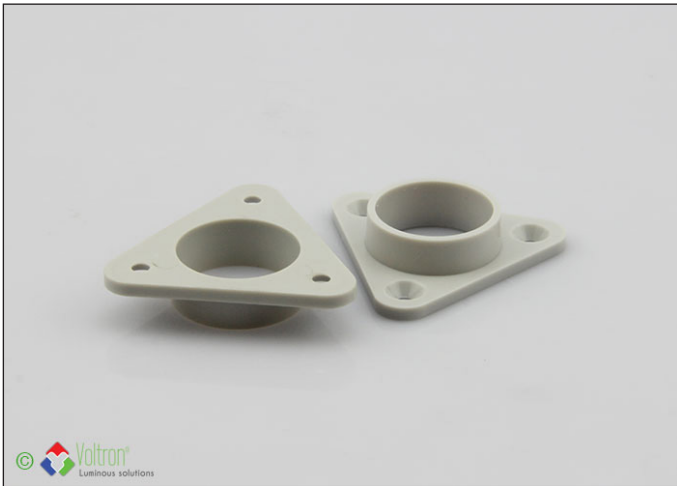


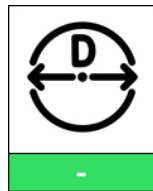
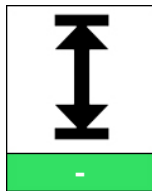
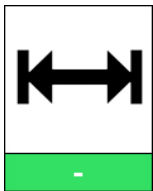
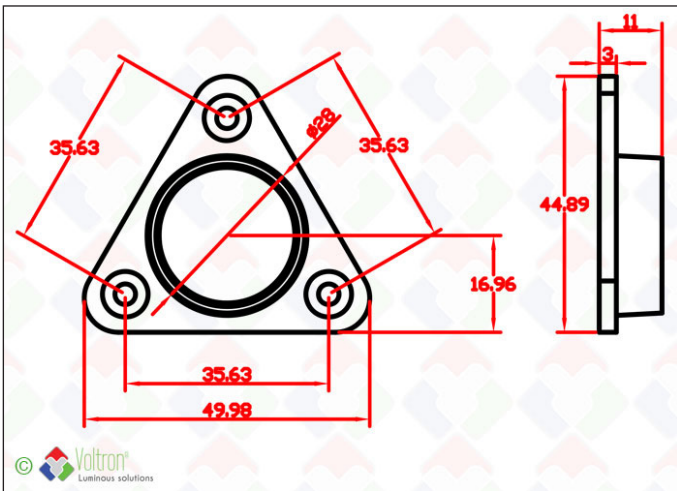
Led aluminum profiles



PF-K-R-ZIJKANT

VOLTRON® single round aluminum LED profiles \varnothing 24mm.

Accessories : PF-K-R-ZIJKANT : always in set. Are provided to fix the profile PF-K-R to the side walls .



-

-

-

UL94V-2

6063-T5

Technical data

Productnumber	Barcode	Height	Length	Width
PF-K-R-ZIJKANT	LH-973	-	-	-
Diameter	Finishing color	UL94	Aluminum	Packed per
-	-	UL94V-2	6063-T5	1
Full package				
-				

Specification text*

Plastic end pieces to attach the PF-K-R-MI profile to the side walls of cabinets.

* Available on the website

Areas of application

To be used together with the round profile = PR-ROND. This will fix the profile on the sides.

Extra information

All information, specification texts, photos, technical drawings, connection diagrams, photometric .LDT files can be found via this clickable direct link: https://www.voltron-lighting.com/product/EN/46/973/Led_aluminum_profiles--PF-K-R-ZIJKANT or can be requested through your contact person.

Direct link website



Product barcode



The Voltron® name and logo as well as product names are part of the Voltron® Lighting Group and are protected by national and international laws.

The usage rights, reproduction rights as well as the intellectual rights are the exclusive property of the Voltron® Lighting Group.

Voltron® pays a lot of attention to the correctness and completeness of the information. However, it cannot be held responsible for any inaccuracy and / or omission. All images and texts are protected under copyright law and may not be used or multiplied without express permission.